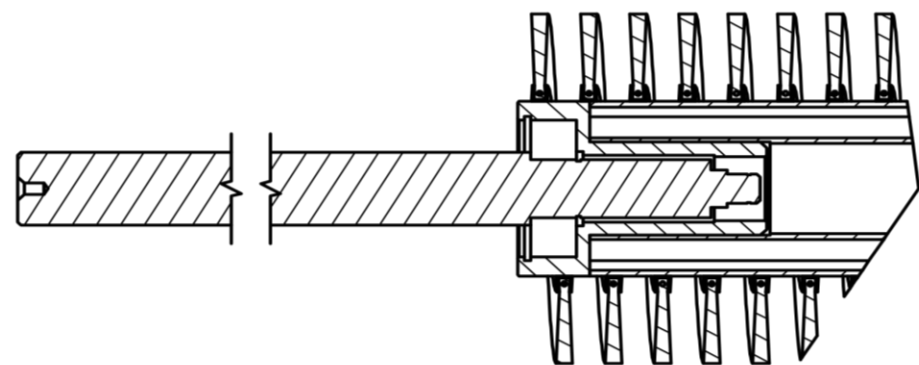
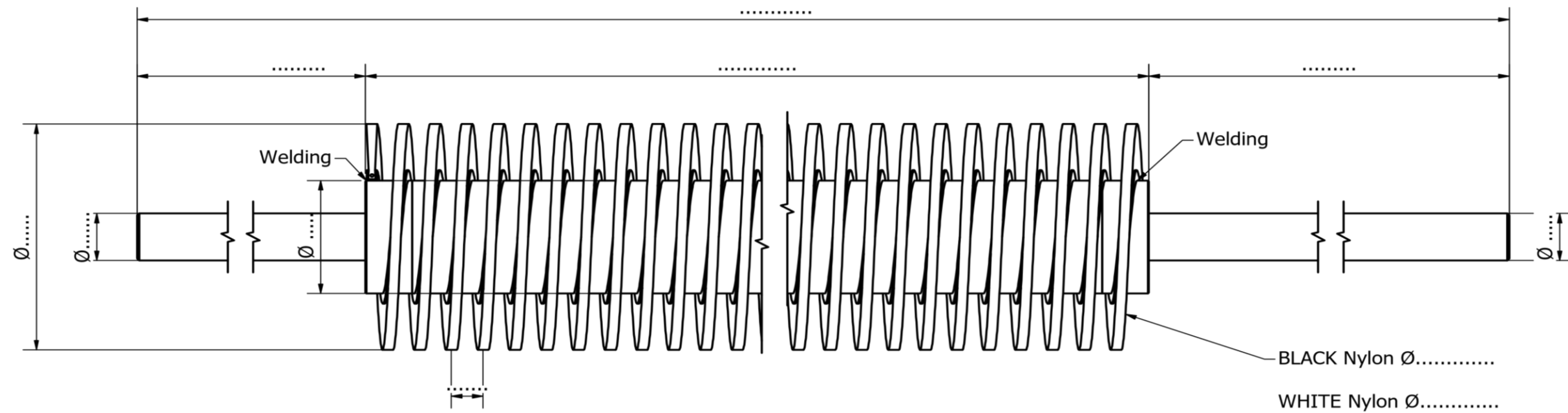
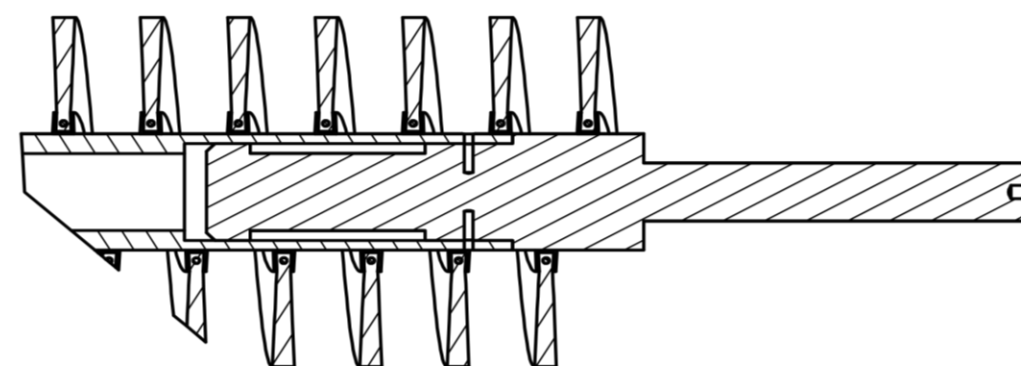


## Request Form: Idle roller brush for carding machines

Company name: \_\_\_\_\_ Contact details (Name, email & phone) \_\_\_\_\_



**Rotating pin [ ]**



**Fixed pin [ ]**